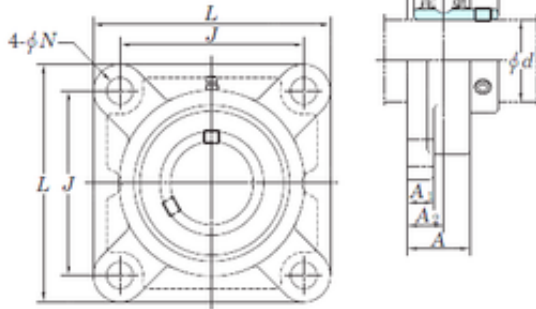




Bearing equipment manufacturing Co., Ltd

Ucf205 Pillow Block Bearing, Ucf206, Ucf207, Ucf208, Ucf209, Ucf210 NSK NTN Koyo Asahi Fyh Jib



Bearing No. Ucf205

Bore Diameter	25 mm
d	25 mm
A0	35,8 mm
A	27 mm
A1	13 mm
B	34,1 mm
J	70 mm
L	95 mm
N	12 mm
S	14,3 mm
Bolt (G)	M10
A2	16 mm
Weight	0,83 Kg
Basic dynamic load rating (C)	14 kN
Basic static load rating (C0)	7,85 kN
Bearing No.	UCF205
Bolt size	M10
Cr	14.0
C0r	7.85
f0	13.9
(Refer.)Unit mass(kg)	0.83
Nipple size	1/4-28UNF

Ucf205 Bearing 2D drawings and 3D CAD models