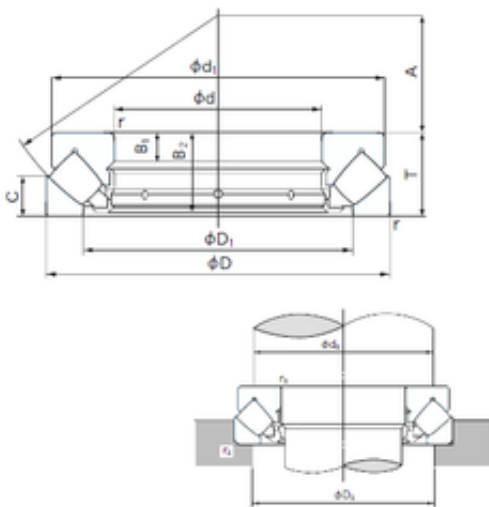




Bearing equipment manufacturing Co., Ltd



130 mm x 270 mm x 31 mm NACHI 29426E
thrust roller bearings

Bearing No. 29426E

29426E Bearing 2D drawings and 3D CAD models

Size	130x270x85 mm
Bore Diameter	130 mm
Outer Diameter	270 mm
Width	85 mm
d	130 mm
D	270 mm
T	85 mm
d1	255 mm
r min.	4 mm
A	81 mm
B1	31 mm
B2	81 mm
C	41 mm
D1	189 mm
da min.	195 mm
Da max.	225 mm
ra max.	3 mm
Weight	23.5 Kg
Basic dynamic load rating (C)	1140 kN
Basic static load rating (C0)	3850 kN
Category	Bearings
Inventory	0.0
Manufacturer Name	NACHI
Minimum Buy Quantity	N/A
Weight / Kilogram	0



Bearing equipment manufacturing Co., Ltd

Product Group	B04311
Bore Type	Cylindrical Bore
Enclosure	Open
Configuration	Single Row
Bore Size	130 mm
Outside Diameter	270 mm
Fillet Radius/Chamfer	4 mm
Width	85 mm
Dynamic Load Rating	1,140,000 N
Static Load Rating	3,850,000 N
Limiting Speed - Oil	1,200 rpm
B	31 mm
da (min)	195 mm
Da (max)	225 mm
ra (max)	3 mm