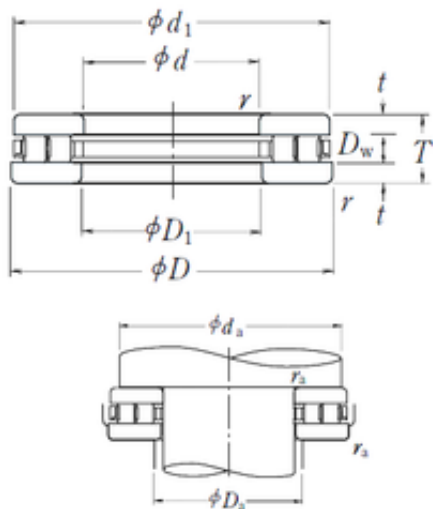




Bearing equipment manufacturing Co., Ltd



NSK 110TMP93 thrust roller bearings

Bearing No. 110TMP93

Size	110x190x48 mm
Bore Diameter	110 mm
Outer Diameter	190 mm
Width	48 mm
d	110 mm
D	190 mm
hidYobi	110TMP93
LangID	1
D_	190
C	390
B_	48
hidTable	ecat_NSCRT
Oil rpm	1500
mass	6.15
d1	190
GRS rpm	500
ra	2
D_a	120
C0	1490
D_1	113
Prod_Type3	TB_TCRB_A
da	179
DA_	19
Z_	15
Dw	19
yobi	110TMP93

110TMP93 Bearing 2D drawings and 3D CAD models



Bearing equipment manufacturing Co., Ltd

RAC	70
t	14.5
r	2
T_	48
KBRG	4614