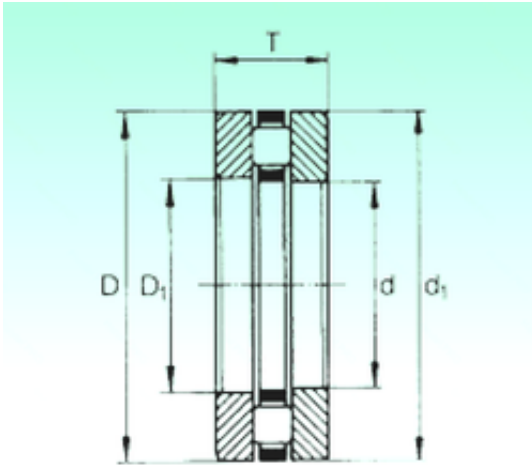




Bearing equipment manufacturing Co., Ltd



81152-M Bearing 2D drawings and 3D CAD models

260 mm x 320 mm x 13,5 mm NBS 81152-M
thrust roller bearings

Bearing No. 81152-M

Size	260x320x45 mm
Bore Diameter	260 mm
Outer Diameter	320 mm
Width	45 mm
d	260 mm
D	320 mm
T	45 mm
d1	317 mm
B	13,5 mm
D1	263 mm
Dw	18 mm
Weight	7,83 Kg
Weight	2,765 Kg
Basic dynamic load rating (C)	619,4 kN
Basic static load rating (C0)	2649,7 kN