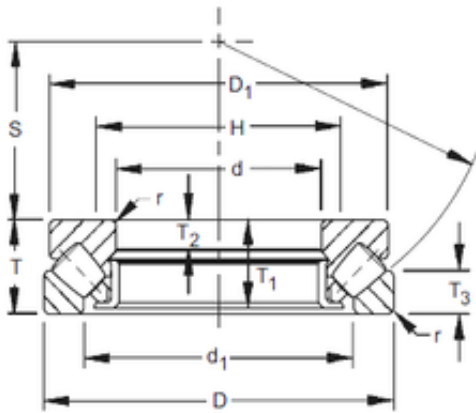




Bearing equipment manufacturing Co., Ltd

190 mm x 380 mm x 41 mm Timken 29438EJ thrust roller bearings

Bearing No. 29438EJ



29438EJ Bearing 2D drawings and 3D CAD models

| | |
|----------------|----------------|
| Size | 190x380x115 mm |
| Bore Diameter | 190 mm |
| Outer Diameter | 380 mm |
| Width | 115 mm |
| d | 190 mm |
| D | 380 mm |
| T | 115 mm |
| B | 41 mm |
| C | 55 mm |
| r max | 4 mm |
| T1 | 111 mm |
| d1 | 271 mm |
| D1 | 360 mm |
| H | 275 mm |
| S | 117 mm |