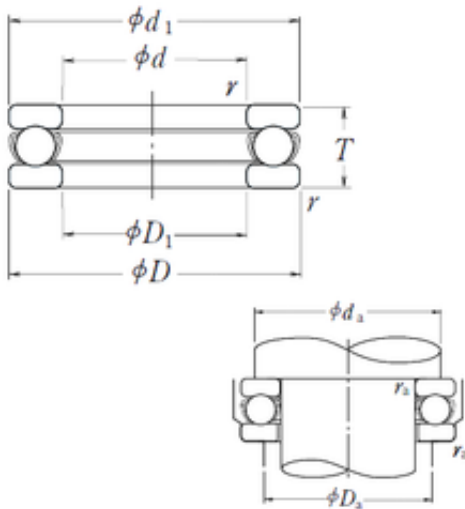




## Bearing equipment manufacturing Co., Ltd



51248X Bearing 2D drawings and 3D CAD models

### NSK 51248X thrust ball bearings

Bearing No. 51248X

Size	240x340x78 mm
Bore Diameter	240 mm
Outer Diameter	340 mm
Width	78 mm
d	240 mm
D	340 mm
T	78 mm
d1	335 mm
r min.	2,1 mm
D1	244 mm
da min.	299 mm
Da max.	281 mm
ra max.	2 mm
Weight	23,7 Kg
Basic dynamic load rating (C)	420 kN
Basic static load rating (C0)	1650 kN
(Grease) Lubrication Speed	560 r/min
SRI	18.85
hidYobi	51248X
LangID	1
D_	340
SREX	0.125
C	420
B_	78
hidTable	ecat_NSSDTB
Oil rpm	850



## Bearing equipment manufacturing Co., Ltd

SRE	18.85
mass	23.7
GRS rpm	560
ra	2
SRIX	0.125
D_a	281
SRIN	0
C0	1650
SREN	0
D_1	244
Prod_Type3	TB_SD_WFS
da	299
DA_	34.925
Z_	22
yobi	51248X
SDM_	290
r	2.1
T_	78
KBRG	511