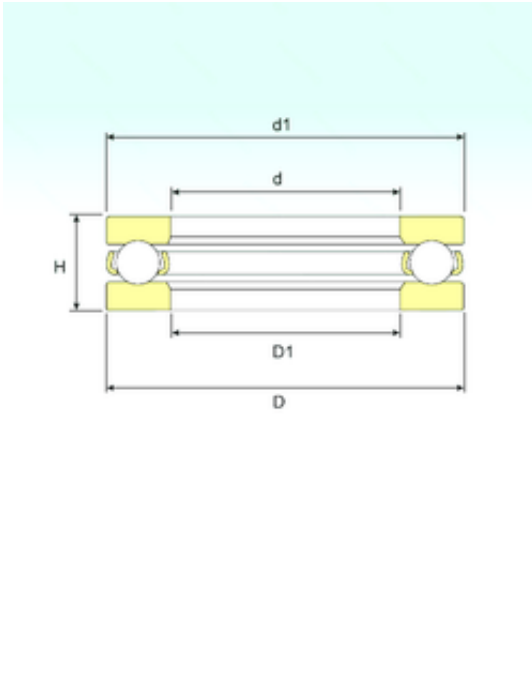




Bearing equipment manufacturing Co., Ltd



51428 M Bearing 2D drawings and 3D CAD models

ISB 51428 M thrust ball bearings

Bearing No. 51428 M

Size	140x280x112 mm
Bore Diameter	140 mm
Outer Diameter	280 mm
Width	112 mm
d	140 mm
D	280 mm
H	112 mm
d1	275 mm
D1	144 mm
Weight	34,5 Kg
Basic dynamic load rating (C)	510 kN
Basic static load rating (C0)	1695 kN
(Grease) Lubrication Speed	765 r/min