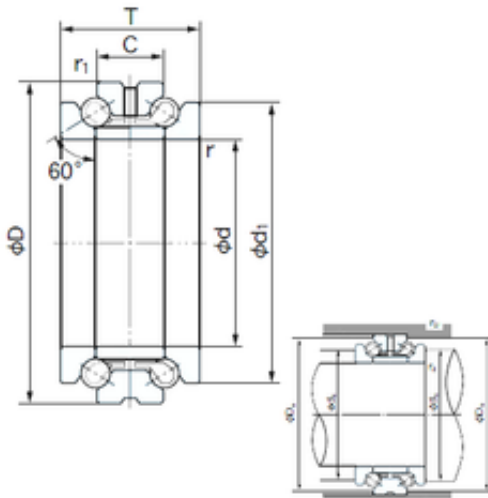




## Bearing equipment manufacturing Co., Ltd



103TAD20 Bearing 2D drawings and 3D CAD models

### NACHI 103TAD20 thrust ball bearings

Bearing No. 103TAD20

Size	103x150x60 mm
Bore Diameter	103 mm
Outer Diameter	150 mm
Width	60 mm
d	103 mm
D	150 mm
T	60 mm
ra1 max.	1 mm
Angle ( ° )	60 °
d1	133 mm
r min.	1.5 mm
r1 min.	1 mm
C	30 mm
da min.	119 mm
Da max.	142 mm
ra max.	1.5 mm
Weight	3.32 Kg
Basic dynamic load rating (C)	60,5 kN
Basic static load rating (C0)	180 kN
(Grease) Lubrication Speed	2800 r/min