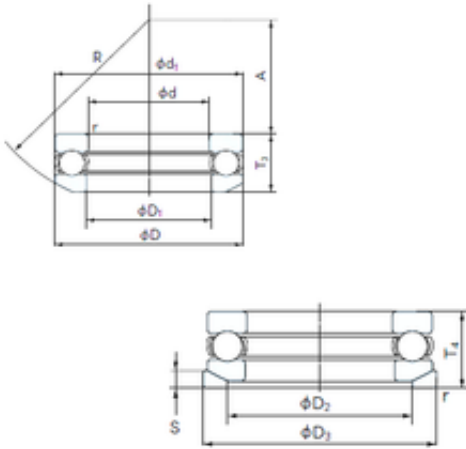




Bearing equipment manufacturing Co., Ltd

NACHI 53424U thrust ball bearings

Bearing No. 53424U



53424U Bearing 2D drawings and 3D CAD models

Size	120x250x118 mm
Bore Diameter	120 mm
Outer Diameter	250 mm
Width	118 mm
d	120 mm
D	250 mm
T	118 mm
d1	245 mm
r min.	4 mm
A	70 mm
D1	123 mm
D2	185 mm
D3	260 mm
R	200 mm
S	32 mm
Weight	29.2 Kg
Basic dynamic load rating (C)	455 kN
Basic static load rating (C0)	1340 kN
(Grease) Lubrication Speed	580 r/min