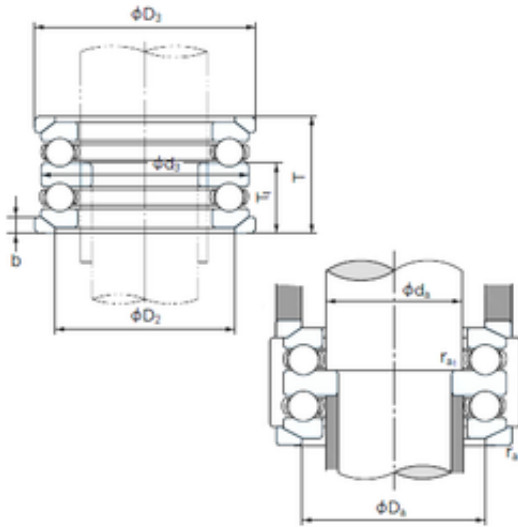




Bearing equipment manufacturing Co., Ltd



54205U Bearing 2D drawings and 3D CAD models

NACHI 54205U thrust ball bearings

Bearing No. 54205U

Size	25x47x36 mm
Bore Diameter	25 mm
Outer Diameter	47 mm
Width	36 mm
d	25 mm
d2	20 mm
D	47 mm
T	36 mm
ra1 max.	0.3 mm
T1	21.5 mm
a	7 mm
b	5.5 mm
d3	47 mm
r min.	0.6 mm
r1 min.	0.3 mm
D1	27 mm
D2	36 mm
D3	50 mm
da min.	25 mm
Da max.	36 mm
ra max.	0.6 mm
Weight	0.305 Kg
Basic dynamic load rating (C)	27,8 kN
Basic static load rating (C0)	50,5 kN
(Grease) Lubrication Speed	3700 r/min