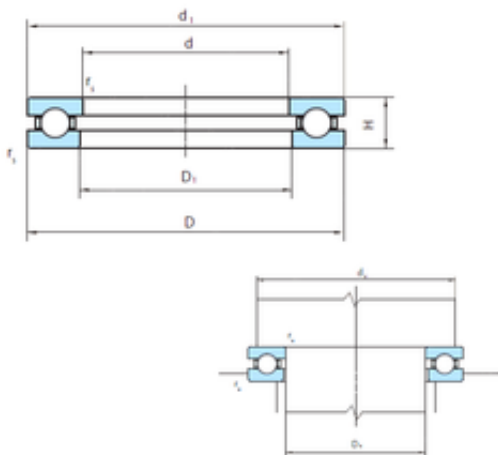




Bearing equipment manufacturing Co., Ltd



PSL 51272 thrust ball bearings

Bearing No. 51272

Size	360x500x110 mm
Bore Diameter	360 mm
Outer Diameter	500 mm
Width	110 mm
d	360 mm
D	500 mm
H	110 mm
d1	495 mm
r min.	5 mm
D1	365 mm
da min.	443 mm
Da max.	417 mm
ra max.	3 mm
Weight	70,6 Kg
Basic dynamic load rating (C)	727 kN
Basic static load rating (C0)	3264 kN
(Grease) Lubrication Speed	400 r/min

51272 Bearing 2D drawings and 3D CAD models