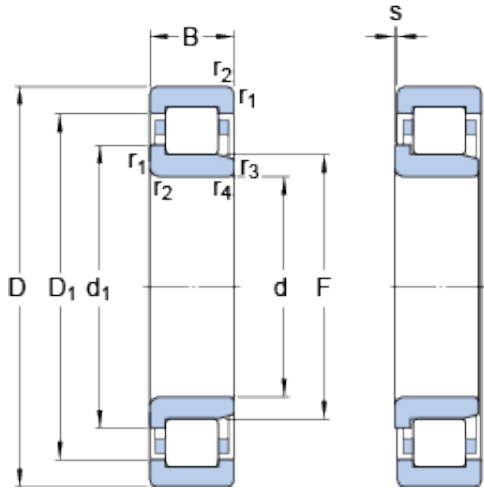




# Bearing equipment manufacturing Co., Ltd



## 75 mm x 130 mm x 31 mm SKF NJ 2215 ECJ thrust ball bearings

Bearing No. NJ 2215 ECJ

NJ 2215 ECJ Bearing 2D drawings and 3D CAD models

Size	130x75x31 mm
Bore Diameter	130 mm
Outer Diameter	75 mm
Width	31 mm
d	75 mm
D	130 mm
B	31 mm
d <sub>1</sub>	94.3 mm
D <sub>1</sub>	113.2 mm
F	88.5 mm
r <sub>1,2</sub> - min.	1.5 mm
r <sub>3,4</sub> - min.	1.5 mm
s	1.7 mm
d <sub>a</sub> - min.	84 mm
d <sub>a</sub> - max.	86 mm
d <sub>b</sub> - min.	97 mm
D <sub>a</sub> - max.	121.5 mm
r <sub>a</sub> - max.	1.5 mm
Basic dynamic load rating - C	186 kN
Basic static load rating - C <sub>0</sub>	208 kN
Fatigue load limit - P <sub>u</sub>	27 kN
Reference speed	5600 r/min
Limiting speed	6000 r/min
Calculation factor - k <sub>r</sub>	0.2



## Bearing equipment manufacturing Co., Ltd

Category	Cylindrical Roller Bearings
Inventory	0.0
Manufacturer Name	SKF
Minimum Buy Quantity	N/A
Weight / Kilogram	1.677
EAN	7316570631739
Product Group	B04144
Bore Profile	Straight
Cage Material	Steel
Precision Class	RBEC 1   ISO P0
Number of Rows of Rollers	Single Row
Separable	Inner Ring - One Side
Rolling Element	Cylindrical Roller Bearing
Profile	Complete with Outer and Inner Ring
Snap Ring	No
Internal Clearance	C0-Medium
Retainer	Yes
Relubricatable	Yes
Inch - Metric	Metric
Other Features	High Capacity   1 Rib Inner Ring   2 Rib Outer Ring   Cage on Outer Ring ID
Long Description	75MM Bore; Straight Bore Profile; 130MM Outside Diameter; 31MM Width; Steel Cage Material; RBEC 1   ISO P0; Single Row; Inner Ring - One Side Separable; No Snap Ring; Relubricatable; C0-Medium Intern
Category	Cylindrical Roller Bearing
UNSPSC	31171547
Harmonized Tariff Code	8482.50.00.00
Noun	Bearing



## Bearing equipment manufacturing Co., Ltd

Manufacturer URL	<a href="http://www.skf.com">http://www.skf.com</a>
Manufacturer Item Number	NJ 2215 ECJ
Weight / LBS	3.697
Outside Diameter	5.118 Inch   130 Millimeter
Width	1.22 Inch   31 Millimeter
Bore	2.953 Inch   75 Millimeter
$d_1$	94.3 mm
$D_1$	113.2 mm
$r_{1,2}$ min.	1.5 mm
$r_{3,4}$ min.	1.5 mm
s max.	1.7 mm
$d_a$ min.	84 mm
$d_a$ max.	86 mm
$d_b$ min.	97 mm
$D_a$ max.	121.5 mm
$r_a$ max.	1.5 mm
Basic dynamic load rating C	186 kN
Basic static load rating $C_0$	208 kN
Fatigue load limit $P_u$	27 kN
Calculation factor $k_r$	0.2
Limiting value e	0.3
Axial load factor Y	0.4
Mass bearing	1.64 kg