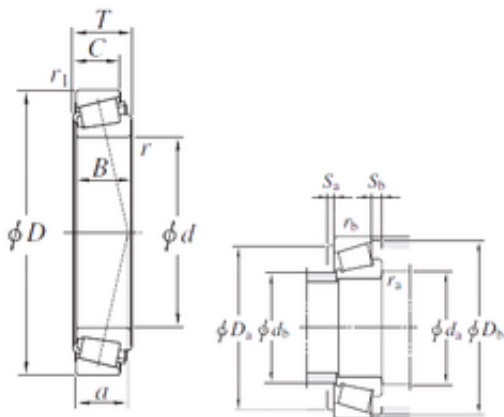




# Bearing equipment manufacturing Co., Ltd

206,375 mm x 282,575 mm x 46,038 mm KOYO  
67985/67920 tapered roller bearings



Bearing No. 67985/67920

Size	206.375x282.575x46.038 mm
Bore Diameter	206,375 mm
Outer Diameter	282,575 mm
Width	46,038 mm
d	206,375 mm
D	282,575 mm
T	46,038 mm
B	46,038 mm
C	36,513 mm
a	61,6 mm
r min.	3,6 mm
r1 min.	3,2 mm
da min.	220 mm
Da min	259 mm
Da max.	270 mm
db max.	222 mm
ra max.	3,6 mm
rb max.	3,2 mm
Db	271 mm
Weight	8,07 Kg
Basic dynamic load rating (C)	349 kN
Basic static load rating (C0)	707 kN
Calculation factor (e)	0,51
Calculation factor (Y0)	0,65

67985/67920 Bearing 2D drawings and 3D CAD models



# **Bearing equipment manufacturing Co., Ltd**