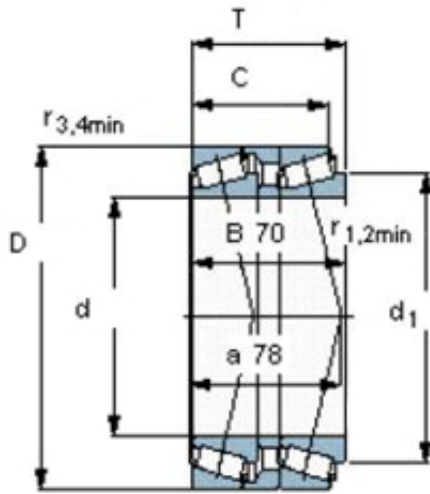




Bearing equipment manufacturing Co., Ltd



60 mm x 125 mm x 80 mm SKF T7FC
060T80/QCL7CDTC10 tapered roller bearings

Bearing No. T7FC 060T80/QCL7CDTC10

Size	125x60x80 mm
Bore Diameter	125 mm
Outer Diameter	60 mm
Width	80 mm
d	60 mm
D	125 mm
B	80 mm
Basic dynamic load rating - C	305 kN
Basic static load rating - C_0	405 kN
Fatigue load limit - P_u	49 kN
Reference speed	3000 r/min
Limiting speed	5300 r/min

T7FC 060T80/QCL7CDTC10 Bearing 2D drawings and 3D CAD models