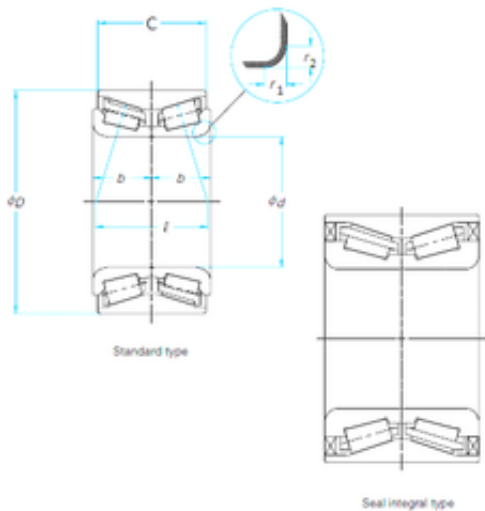




Bearing equipment manufacturing Co., Ltd



35 mm x 60 mm x 32,4 mm NSK 35KWD02 tapered roller bearings

Bearing No. 35KWD02

Size	35x60x32.4 mm
Bore Diameter	35 mm
Outer Diameter	60 mm
Width	32,4 mm
d	35 mm
D	60 mm
B	32,4 mm
C	30,4 mm
b	16,2 mm
r1 min.	2,5 mm
r2 min.	2,5 mm
	27,6 Tolerance h14
Weight	0,38 Kg
Basic dynamic load rating (C)	60 kN
Basic static load rating (C0)	93,5 kN

35KWD02 Bearing 2D drawings and 3D CAD models