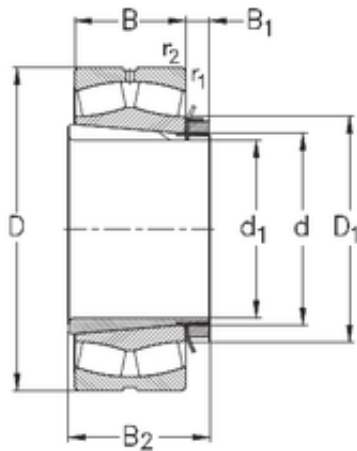




## Bearing equipment manufacturing Co., Ltd



### 25 mm x 52 mm x 18 mm NKE 22205-E-K-W33+H305 spherical roller bearings

Bearing No. 22205-E-K-W33+H305

22205-E-K-W33+H305 Bearing 2D drawings and 3D CAD models

Size	25x52x18 mm
Bore Diameter	25 mm
Outer Diameter	52 mm
Width	18 mm
d	25 mm
d1	20 mm
D	52 mm
B	18 mm
C	18 mm
r1 min.	1 mm
r2 min.	1 mm
B1	9 mm
B2	29 mm
D1	38 mm
Weight	0,251 Kg
Basic dynamic load rating (C)	46 kN
Basic static load rating (C0)	46 kN
Limiting speed	17000 r/min
Calculation factor (e)	0,34
Calculation factor (Y0)	2
Calculation factor (Y)	1