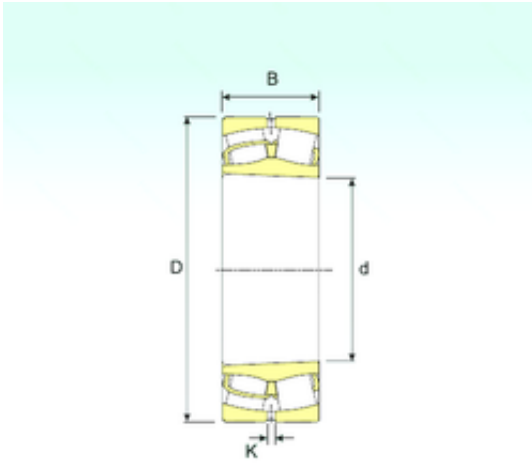




Bearing equipment manufacturing Co., Ltd



23068 K Bearing 2D drawings and 3D CAD models

340 mm x 520 mm x 133 mm ISB 23068 K
spherical roller bearings

Bearing No. 23068 K

Size	340x520x133 mm
Bore Diameter	340 mm
Outer Diameter	520 mm
Width	133 mm
d	340 mm
D	520 mm
B	133 mm
C	133 mm
K	12 mm
Weight	105 Kg
Basic dynamic load rating (C)	2646 kN
Basic static load rating (C0)	4459 kN
(Grease) Lubrication Speed	994,5 r/min