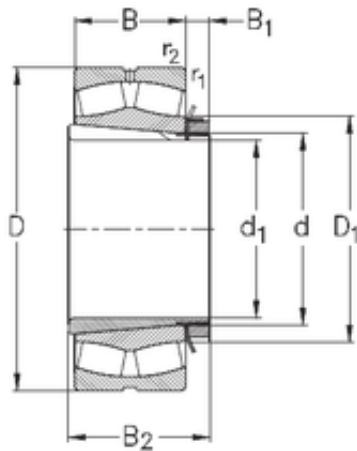




Bearing equipment manufacturing Co., Ltd



100 mm x 180 mm x 60,3 mm NKE 23220-K-MB-W33+H2320 spherical roller bearings

Bearing No. 23220-K-MB-W33+H2320

23220-K-MB-W33+H2320 Bearing 2D drawings and 3D CAD models

Size	100x180x60.3 mm
Bore Diameter	100 mm
Outer Diameter	180 mm
Width	60,3 mm
d	100 mm
d1	90 mm
D	180 mm
B	60,3 mm
C	60,3 mm
r1 min.	2,1 mm
r2 min.	2,1 mm
B1	21 mm
B2	97 mm
D1	130 mm
Weight	9,34 Kg
Basic dynamic load rating (C)	390 kN
Basic static load rating (C0)	532 kN
Limiting speed	3400 r/min
Calculation factor (e)	0,34
Calculation factor (Y0)	1,9
Calculation factor (Y1)	2