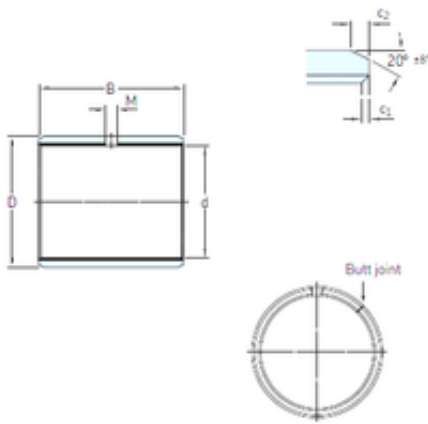




Bearing equipment manufacturing Co., Ltd



17 mm x 19 mm x 20 mm SKF PCM 171920 E
plain bearings

Bearing No. PCM 171920 E

Size	17x19x20 mm
Bore Diameter	17 mm
Outer Diameter	19 mm
Width	20 mm
d	17 mm
D	19 mm
B	20 mm
c1 min	0,1 mm
c2 min	0,2 mm
M	– mm
Weight	0,0083 Kg
Basic dynamic load rating (C)	27 kN
Category	Bearings
Inventory	0.0
Manufacturer Name	SKF
Minimum Buy Quantity	N/A
Weight / Kilogram	0.128
Product Group	B04264
c ₁ min.	0.1 mm
c ₁ max.	0.6 mm
c ₂ min.	0.2 mm
c ₂ max.	1 mm
± 8	20 °
Tolerance shaft	f7
Tolerance housing	H7

PCM 171920 E Bearing 2D drawings and 3D CAD models



Bearing equipment manufacturing Co., Ltd

Basic dynamic load rating - radial direction C	27 kN
Basic static load rating - radial direction C_0	85 kN
Specific dynamic load factor K	80 N/mm ²
Specific static load factor K_0	250 N/mm ²
Factor depending on material and bearing type K_M	480
Permissible sliding velocity v min.	0 m/s
Permissible sliding velocity v max.	2 m/s
Coefficient of friction μ min.	0.03
Coefficient of friction μ max.	0.25
Mass bushing	0.0083 kg