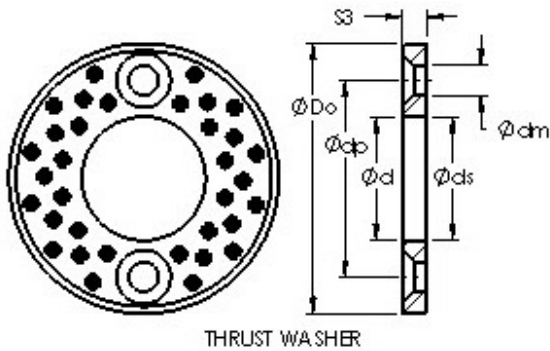




Bearing equipment manufacturing Co., Ltd



AST AST650 WC10N plain bearings

Bearing No. AST650 WC10N

Bore Diameter	10 mm
Outer Diameter	30 mm
Bearing Type	thrust washer
Shaft Dia., Nominal (d)	10.0000
Bearing Outside Diameter, Nominal (Do)	30.000
Washer Inside Diameter, Nominal (di)	10
Washer Outside Diameter, Nominal (Do)	30
Washer Thickness, Nominal (S)	3
Washer Thickness Tolerance (S3 tol.) - +0 / -0.1	+0 / 0.1
Material	Cast bronze with solid lubricant inserts.

AST650 WC10N Bearing 2D drawings and 3D CAD models