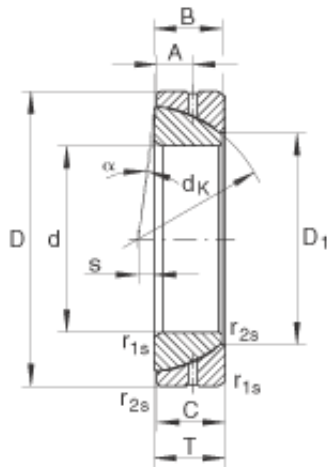




## Bearing equipment manufacturing Co., Ltd



GE25-SX Bearing 2D drawings and 3D CAD models

### INA GE25-SX plain bearings

Bearing No. GE25-SX

Size	25x47x14 mm
Bore Diameter	25 mm
Outer Diameter	47 mm
Width	14 mm
T	15 mm
A	7,5 mm
C	14 mm
D <sub>1</sub>	31,4 mm
D <sub>a min</sub>	34 mm
d <sub>a max</sub>	30,1 mm
d <sub>b max</sub>	39,5 mm
d <sub>K</sub>	42,5 mm
D <sub>b min</sub>	43 mm
r <sub>1s min</sub>	0,6 mm
r <sub>2s min</sub>	0,2 mm
s	1 mm
alf ( ° )	2,7
Weight (kg)	0,14
C <sub>r</sub> (N)	47800
C <sub>0r</sub> (N)	239000
Category	Spherical Plain Bearings - Thrust
Inventory	0.0
Manufacturer Name	SCHAEFFLER GROUP
Minimum Buy Quantity	N/A



## Bearing equipment manufacturing Co., Ltd

Weight / Kilogram	0.156
Product Group	B04264
Rolling Element	Spherical Plain
Self Aligning	Yes
Material - Outer Member	Steel
Material - Ball	Steel
Material - Liner	Not Applicable
Enclosure	Open
Relubricatable	Yes
Other Features	Angular Contact   Single Direction
Long Description	25MM Bore; 47MM Housing Outside Diameter; 15MM Overall Width; Spherical Plain; Self Aligning; Steel Outer Member; Steel Ball; No Liner; 43MM Ball Outside Diam; 14MM Housing Width; Relubricatable
Inch - Metric	Metric
Category	Plain Bearings Spherical Thrust
UNSPSC	31171515
Harmonized Tariff Code	8483.30.80.70
Noun	Bearing
Keyword 3	Spherical
Keyword String	Plain Thrust Spherical
Manufacturer URL	<a href="http://www.ina.com">http://www.ina.com</a>
Manufacturer Item Number	GE25SX
Weight / LBS	0.287
Bore	0.984 Inch   25 Millimeter
Housing Width	0.551 Inch   14 Millimeter
Overall Width	0.591 Inch   15 Millimeter
Housing Outside Diameter	1.85 Inch   47 Millimeter



## Bearing equipment manufacturing Co., Ltd

Ball Outside Diameter	1.693 Inch   43 Millimeter
-----------------------	----------------------------