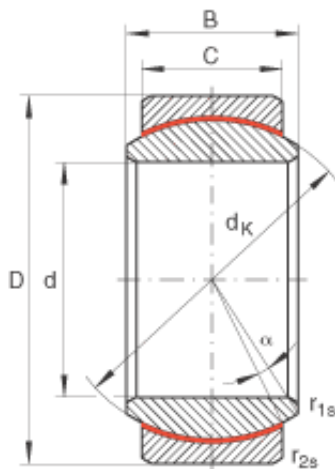




Bearing equipment manufacturing Co., Ltd



GE6-UK Bearing 2D drawings and 3D CAD models

INA GE6-UK plain bearings

Bearing No. GE6-UK

Size	6x14x6 mm
Bore Diameter	6 mm
Outer Diameter	14 mm
Width	6 mm
C	4 mm
$D_{a \min}$	9,6 mm
$d_{a \max}$	8 mm
d_K	10 mm
$r_{1s \min}$	0,3 mm
$r_{2s \min}$	0,3 mm
alf (°)	13
Weight (kg)	0,004
C_r (N)	3600
C_{0r} (N)	9000
Category	Spherical Plain Bearings - Radial
Inventory	0.0
Manufacturer Name	SCHAEFFLER GROUP
Minimum Buy Quantity	N/A
Weight / Kilogram	0.01
EAN	4012802531398
Product Group	B04264
Self Aligning	Yes
Rolling Element	Spherical Plain
Material - Outer Member	Steel
Material - Ball	Steel



Bearing equipment manufacturing Co., Ltd

Material - Liner	Teflon
Relubricatable	No
Enclosure	Open
Other Features	2 Piece Axially Split Outer Ring
Long Description	6MM Bore; 4MM Housing Width; 14MM Outside Diameter; Spherical Plain; Steel Outer Member; Steel Ball; Teflon Liner; 6MM Overall Width; Not Relubricatable
Inch - Metric	Metric
Category	Plain Bearings Spherical Radial
UNSPSC	31171515
Harmonized Tariff Code	8483.30.80.70
Noun	Bearing
Keyword 3	Spherical
Keyword String	Plain Spherical Radial
Manufacturer URL	http://www.ina.com
Manufacturer Item Number	GE6UK
Weight / LBS	0.009
Housing Width	0.157 Inch 4 Millimeter
Overall Width	0.236 Inch 6 Millimeter
Outside Diameter	0.551 Inch 14 Millimeter
Bore	0.236 Inch 6 Millimeter