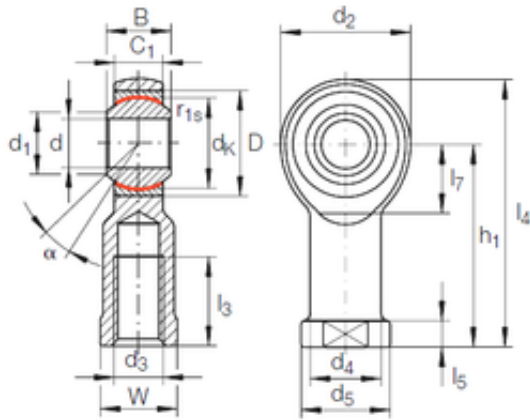




## Bearing equipment manufacturing Co., Ltd



GIKR 22 PW Bearing 2D drawings and 3D CAD models

### 22 mm x 42 mm x 28 mm INA GIKR 22 PW plain bearings

Bearing No. GIKR 22 PW

Size	22x42x28 mm
Bore Diameter	22 mm
Outer Diameter	42 mm
Width	28 mm
d	22 mm
D	42 mm
B	28 mm
d1	25,8 mm
d2	54 mm
d4	30 mm
dk	38,1 mm
h1	84 mm
l3 min.	37 mm
l4 max.	111 mm
l5	12 mm
l7 min.	29 mm
r1 min.	0,3 mm
C1	20 mm
W	32 mm
Thread (G)	M22X1,5
Angle	15 °
d5	38 r/min
Weight	0,54 Kg
Basic dynamic load rating (C)	68 kN