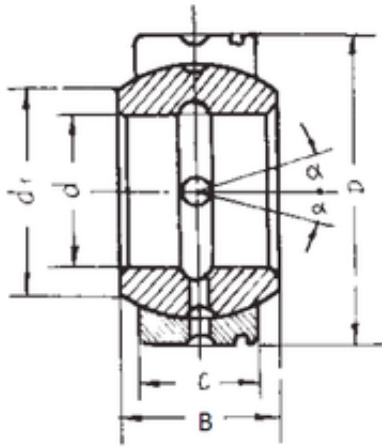




Bearing equipment manufacturing Co., Ltd



40 mm x 62 mm x 33 mm FBJ GE40XS/K plain bearings

Bearing No. GE40XS/K

Size	40x62x33 mm
Bore Diameter	40 mm
Outer Diameter	62 mm
Width	33 mm
d	40 mm
D	62 mm
B	33 mm
C	28 mm
d1	44 mm
Angle	6 °
Weight	0,375 Kg
Basic dynamic load rating (C)	122 kN

GE40XS/K Bearing 2D drawings and 3D CAD models