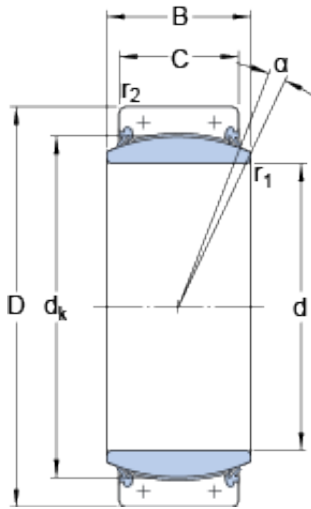




Bearing equipment manufacturing Co., Ltd



480 mm x 650 mm x 230 mm SKF GEC 480 TXA-2RS plain bearings

Bearing No. GEC 480 TXA-2RS

GEC 480 TXA-2RS Bearing 2D drawings and 3D CAD models

Size	650x480x230 mm
Bore Diameter	650 mm
Outer Diameter	480 mm
Width	230 mm
d	480 mm
D	650 mm
B	230 mm
C	195 mm
	3 °
r ₁ - min.	2 mm
r ₂ - min.	5 mm
d _a - min.	504 mm
d _a - max.	516 mm
D _a - min.	559 mm
D _a - max.	613 mm
r _a - max.	2 mm
r _b - max.	5 mm
Basic dynamic load rating - C	30000 kN
Basic static load rating - C ₀	50000 kN
Specific factor dynamic load - K	300 N/mm ²
Specific factor static load - K ₀	500 N/mm ²
Lubricant	Maintenance free – dry lubrication



Bearing equipment manufacturing Co., Ltd

Design (sliding contact surface combination)	Steel/PTFE fabric
Sealing solution	Double-lip seals
	3 °
d_k	565 mm
r_1 min.	2 mm
r_2 min.	5 mm
d_a min.	504 mm
d_a max.	516 mm
D_a min.	559 mm
D_a max.	613 mm
r_a max.	2 mm
r_b max.	5 mm
Basic dynamic load rating C	30000 kN
Basic static load rating C_0	50000 kN
Specific dynamic load factor K	300 N/mm ²
Specific static load factor K_0	500 N/mm ²
Mass plain bearing	233 kg