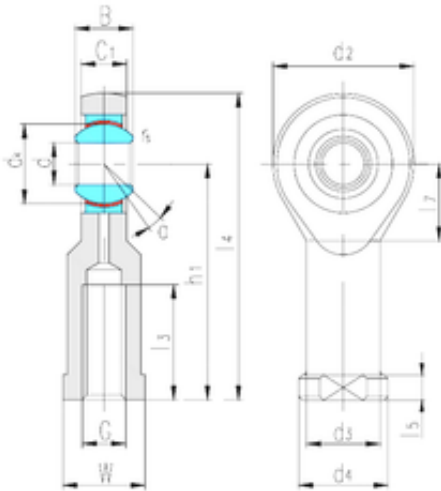




# Bearing equipment manufacturing Co., Ltd



SIK20C Bearing 2D drawings and 3D CAD models

## LS SIK20C plain bearings

Bearing No. SIK20C

Bore Diameter	20 mm
d	20 mm
B	25 mm
d2	50 mm
d3	27,5 mm
d4	34 mm
dk	34,93 mm
h1	77 mm
l3 min.	30 mm
l4 max.	102 mm
l5	10 mm
l7 min.	25 mm
r min.	0,6 mm
C1	18,5 mm
W	30 mm
Thread (G)	M20 × 1,5
Angle	14 °
Weight	0,43 Kg
Basic dynamic load rating (C)	34 kN