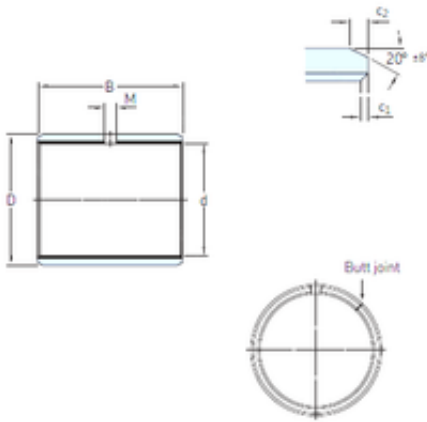




## Bearing equipment manufacturing Co., Ltd



### 250 mm x 255 mm x 100 mm SKF PCM 250255100 M plain bearings

Bearing No. PCM 250255100 M

PCM 250255100 M Bearing 2D drawings and 3D CAD models

Size	250x255x100 mm
Bore Diameter	250 mm
Outer Diameter	255 mm
Width	100 mm
d	250 mm
D	255 mm
B	100 mm
c1 min	0,2 mm
c2 min	1,2 mm
M	8 mm
Weight	1,4 Kg
Basic dynamic load rating (C)	3 000 kN
c <sub>1</sub> min.	0.2 mm
c <sub>1</sub> max.	1 mm
c <sub>2</sub> min.	1.2 mm
c <sub>2</sub> max.	2.4 mm
± 8	20 °
Tolerance shaft	h8
Tolerance housing	H7
Basic dynamic load rating - radial direction C	3000 kN
Basic static load rating - radial direction C <sub>0</sub>	6100 kN
Specific dynamic load factor K	120 N/mm <sup>2</sup>
Specific static load factor K <sub>0</sub>	250 N/mm <sup>2</sup>



## Bearing equipment manufacturing Co., Ltd

Factor depending on material and bearing type $K_M$	1900
Permissible sliding velocity $v$ min.	0 m/s
Permissible sliding velocity $v$ max.	2.5 m/s
Coefficient of friction $\mu$ min.	0.02
Coefficient of friction $\mu$ max.	0.2
Mass bushing	1.4 kg