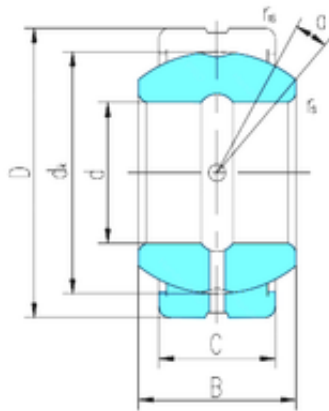




## Bearing equipment manufacturing Co., Ltd



15 mm x 26 mm x 12 mm LS GE15ES-2RS plain bearings

Bearing No. GE15ES-2RS

Size	15x26x12 mm
Bore Diameter	15 mm
Outer Diameter	26 mm
Width	12 mm
d	15 mm
D	26 mm
B	12 mm
C	9 mm
dk	22 mm
r min.	0,3 mm
r1 min.	0,3 mm
Angle	8 °
Weight	0,026 Kg
Basic dynamic load rating (C)	16 kN

GE15ES-2RS Bearing 2D drawings and 3D CAD models