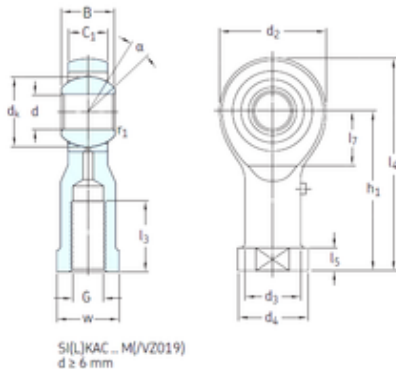




Bearing equipment manufacturing Co., Ltd

SKF SILKAC22M plain bearings

Bearing No. SILKAC22M



SILKAC22M Bearing 2D drawings and 3D CAD models

Bore Diameter	22 mm
d	22 mm
d2	55 mm
d3	30 mm
d4 max.	40 mm
dk	38,1 mm
h1	84 mm
l3 min.	33 mm
l4 max.	114 mm
l5	12 mm
l7 min.	27 mm
r1 min.	0,3 mm
B	28 mm
C1	21 mm
w	32 Tolerance h14
Thread (G)	M22x1,5 Tolerance 6H
Angle	15 °
Weight	0,5 Kg
Basic dynamic load rating (C)	38 kN