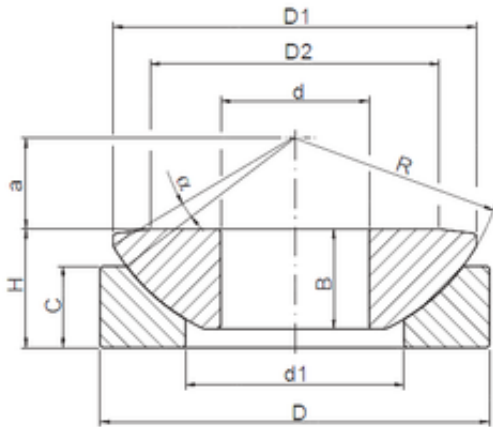




## Bearing equipment manufacturing Co., Ltd



200 mm x 340 mm x 74 mm ISO GE200AW  
plain bearings

Bearing No. GE200AW

Size	200x340x87 mm
Bore Diameter	200 mm
Outer Diameter	340 mm
Width	87 mm
d	200 mm
D	340 mm
H	87 mm
a	70 mm
d1	246 mm
B	74 mm
C	60 mm
D1	321 mm
D2	265 mm
R	358 mm
Angle	8 °

GE200AW Bearing 2D drawings and 3D CAD models