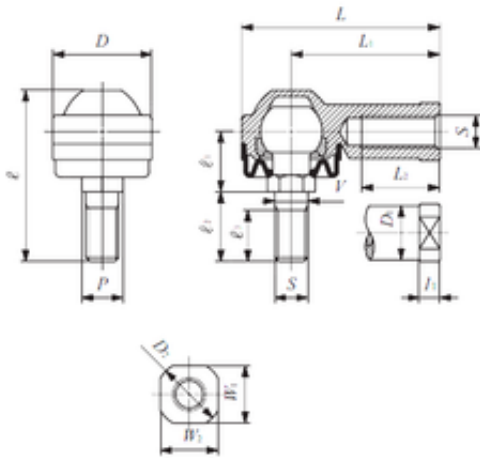




Bearing equipment manufacturing Co., Ltd

IKO LHSA 10 plain bearings

Bearing No. LHSA 10



LHSA 10 Bearing 2D drawings and 3D CAD models

P	12 mm
V	10 mm
W1	17 mm
W2	17 mm
?1	16 mm
?2	21 mm
?3	17 mm
L2	23 mm
dk	19,05 mm
l1 min.	6,5 mm
D	28 mm
D1	15 mm
D2	19 mm
L	57 mm
L1	43 mm
?	49 Tolerance h14
Thread (G)	M10 × 1,25
Weight	106 Kg