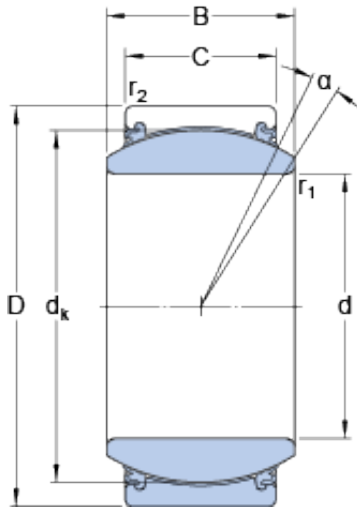




Bearing equipment manufacturing Co., Ltd



GE 25 TXE-2LS Bearing 2D drawings and 3D CAD models

25 mm x 42 mm x 20 mm SKF GE 25 TXE-2LS
plain bearings

Bearing No. GE 25 TXE-2LS

Size	42x25x20 mm
Bore Diameter	42 mm
Outer Diameter	25 mm
Width	20 mm
d	25 mm
D	42 mm
B	20 mm
C	16 mm
	7 °
d _k	35.5 mm
r ₁ - min.	0.6 mm
r ₂ - min.	0.6 mm
d _a - min.	28.2 mm
d _a - max.	29.3 mm
D _a - min.	36.9 mm
D _a - max.	39.2 mm
r _a - max.	0.6 mm
r _b - max.	0.6 mm
Basic dynamic load rating - C	137 kN
Basic static load rating - C ₀	228 kN
Specific factor dynamic load - K	300 N/mm ²
Specific factor static load - K ₀	500 N/mm ²
Category	Spherical Plain Bearings -



Bearing equipment manufacturing Co., Ltd

	Radial
Inventory	0.0
Manufacturer Name	SKF
Minimum Buy Quantity	N/A
Weight / Kilogram	0.12
EAN	7316574541126
Product Group	B04264
Self Aligning	Yes
Rolling Element	Spherical Plain
Material - Outer Member	Steel
Material - Ball	Steel
Material - Liner	Teflon
Relubricatable	No
Enclosure	2 Seals
Other Features	2 Piece Maintenance Free Chrome Plated Ball Self Lubricating Triple Lip Heavy Duty Seals
Long Description	25MM Bore; 16MM Housing Width; 42MM Outside Diameter; Spherical Plain; Steel Outer Member; Steel Ball; Teflon Liner; 20MM Overall Width; Not Relubricatable
Inch - Metric	Metric
Category	Plain Bearings Spherical Radial
UNSPSC	31171515
Harmonized Tariff Code	8483.30.80.70
Noun	Bearing
Keyword 3	Spherical
Keyword String	Plain Spherical Radial
Manufacturer URL	http://www.skf.com
Manufacturer Item Number	GE 25 TXE-2LS



Bearing equipment manufacturing Co., Ltd

Weight / LBS	0.265
Housing Width	0.63 Inch 16 Millimeter
Outside Diameter	1.654 Inch 42 Millimeter
Bore	0.984 Inch 25 Millimeter
Overall Width	0.787 Inch 20 Millimeter
bore diameter:	25 mm
outer ring width:	16 mm
outside diameter:	42 mm
overall width:	20 mm
misalignment angle:	7 °
radial static load capacity:	228 kN
inner ring width:	20 mm
radial dynamic load capacity:	137 kN
bearing type:	Radial
operating temperature range:	-65 to 230 ° F ° F
lubrication type:	Maintenance Free/Self-Lubricating
weight:	0.24 lb
closure type:	Triple Lip Seals
manufacturer product page:	Click here
outer ring material:	Steel
manufacturer upc number:	7316574541126
inner ring material:	Steel/PTFE Fabric
Lubricant	Maintenance free – dry lubrication
Design (sliding contact surface combination)	Steel/PTFE fabric
Sealing solution	Triple-lip seals
	7 °
d_k	35.5 mm
r_1 min.	0.6 mm
r_2 min.	0.6 mm



Bearing equipment manufacturing Co., Ltd

d_a min.	28.2 mm
d_a max.	29.3 mm
D_a min.	36.9 mm
D_a max.	39.2 mm
r_a max.	0.6 mm
r_b max.	0.6 mm
Basic dynamic load rating C	137 kN
Basic static load rating C_0	228 kN
Specific dynamic load factor K	300 N/mm ²
Specific static load factor K_0	500 N/mm ²
Mass plain bearing	0.11 kg