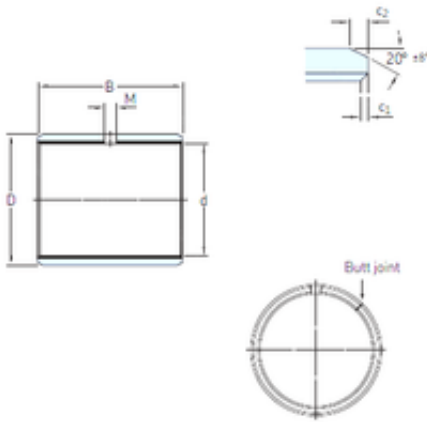




# Bearing equipment manufacturing Co., Ltd



70 mm x 75 mm x 40 mm SKF PCM 707540 E  
plain bearings

Bearing No. PCM 707540 E

PCM 707540 E Bearing 2D drawings and 3D CAD models

Size	70x75x40 mm
Bore Diameter	70 mm
Outer Diameter	75 mm
Width	40 mm
d	70 mm
D	75 mm
B	40 mm
c1 min	0,2 mm
c2 min	1,2 mm
M	– mm
Weight	0,17 Kg
Basic dynamic load rating (C)	220 kN
bushing type:	Plain
bushing material:	PTFE
inside diameter:	70 mm
overall outside diameter:	75 mm
bushing outside diameter:	75 mm
groove type:	Plain Interior
overall length:	40 mm
ground type:	Ground
c <sub>1</sub> min.	0.2 mm
c <sub>1</sub> max.	1 mm
c <sub>2</sub> min.	1.2 mm
c <sub>2</sub> max.	2.4 mm
± 8	20 °



## Bearing equipment manufacturing Co., Ltd

Tolerance shaft	f7
Tolerance housing	H7
Basic dynamic load rating - radial direction C	220 kN
Basic static load rating - radial direction C <sub>0</sub>	680 kN
Specific dynamic load factor K	80 N/mm <sup>2</sup>
Specific static load factor K <sub>0</sub>	250 N/mm <sup>2</sup>
Factor depending on material and bearing type K <sub>M</sub>	480
Permissible sliding velocity v min.	0 m/s
Permissible sliding velocity v max.	2 m/s
Coefficient of friction μ min.	0.03
Coefficient of friction μ max.	0.25
Mass bushing	0.17 kg