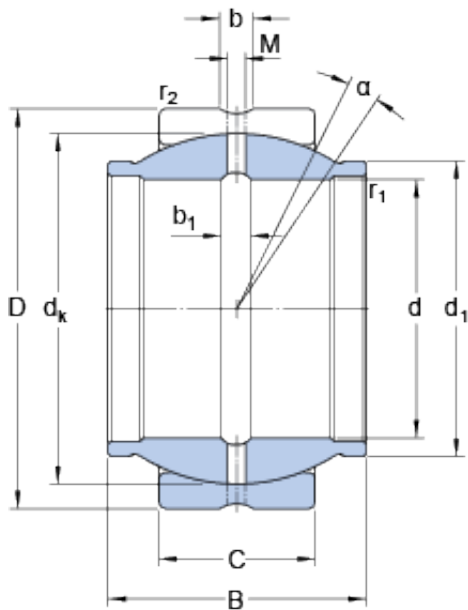




## Bearing equipment manufacturing Co., Ltd



GEG 200 ES Bearing 2D drawings and 3D CAD models

200 mm x 290 mm x 200 mm SKF GEG 200 ES plain bearings

Bearing No. GEG 200 ES

Size	290x200x200 mm
Bore Diameter	290 mm
Outer Diameter	200 mm
Width	200 mm
d	200 mm
D	290 mm
B	200 mm
C	100 mm
	4 °
d <sub>k</sub>	250 mm
d <sub>1</sub>	221 mm
b	15.5 mm
b <sub>1</sub>	15.5 mm
M	7 mm
r <sub>1</sub> - min.	1.1 mm
r <sub>2</sub> - min.	1.1 mm
d <sub>a</sub> - min.	213 mm
d <sub>a</sub> - max.	221 mm
D <sub>a</sub> - min.	237.5 mm
D <sub>a</sub> - max.	279.5 mm
r <sub>a</sub> - max.	1 mm
r <sub>b</sub> - max.	1 mm
Basic dynamic load rating - C	2120 kN
Basic static load rating - C <sub>0</sub>	10600 kN



## Bearing equipment manufacturing Co., Ltd

Specific factor dinamic load - K	100 N/mm <sup>2</sup>
Specific factor static load - K <sub>0</sub>	500 N/mm <sup>2</sup>
Constant - K <sub>M</sub>	330
Category	Spherical Plain Bearings - Radial
Inventory	0.0
Manufacturer Name	SKF
Minimum Buy Quantity	N/A
Weight / Kilogram	40
EAN	7316570221510
Product Group	B04264
Self Aligning	Yes
Rolling Element	Spherical Plain
Material - Outer Member	Steel
Material - Ball	Steel
Material - Liner	Not Applicable
Relubricatable	Yes
Enclosure	Open
Other Features	2 Piece   Extended Inner Ring on Both Sides   Lubrication Hole and an Annular Groove in Both Rings
Long Description	200MM Bore; 100MM Housing Width; 290MM Outside Diameter; Spherical Plain; Steel Outer Member; Steel Ball; No Liner; 200MM Overall Width; Relubricatable
Inch - Metric	Metric
Category	Plain Bearings Spherical Radial
UNSPSC	31171515



## Bearing equipment manufacturing Co., Ltd

Harmonized Tariff Code	8483.30.80.70
Noun	Bearing
Keyword 3	Spherical
Keyword String	Plain Spherical Radial
Manufacturer URL	<a href="http://www.skf.com">http://www.skf.com</a>
Manufacturer Item Number	GEG 200 ES
Weight / LBS	70.548
Overall Width	7.874 Inch   200 Millimeter
Housing Width	3.937 Inch   100 Millimeter
Outside Diameter	11.417 Inch   290 Millimeter
Bore	7.874 Inch   200 Millimeter
Lubricant	Regular relubrication – grease
Design (sliding contact surface combination)	Steel/steel
Sealing solution	-
	4 °
$d_k$	250 mm
$d_1$	221 mm
$b_1$	15.5 mm
$r_1$ min.	1.1 mm
$r_2$ min.	1.1 mm
$d_a$ min.	213 mm
$d_a$ max.	221 mm
$D_a$ min.	237.5 mm
$D_a$ max.	279.5 mm
$r_a$ max.	1 mm
$r_b$ max.	1 mm
Basic dynamic load rating C	2120 kN
Basic static load rating $C_0$	10600 kN
Specific dynamic load factor K	100 N/mm <sup>2</sup>
Specific static load factor $K_0$	500 N/mm <sup>2</sup>



## Bearing equipment manufacturing Co., Ltd

Material constant $K_M$	330
Mass plain bearing	31.9 kg