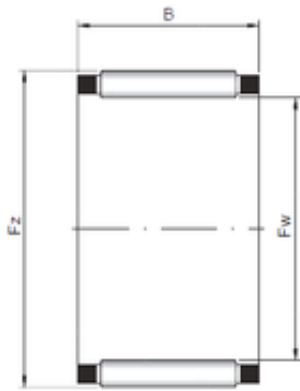




Bearing equipment manufacturing Co., Ltd

ISO K40x45x17 needle roller bearings



Bearing No. K40x45x17

Size	40x45x17 mm
Bore Diameter	40 mm
Outer Diameter	45 mm
Width	17 mm
Fw	40 mm
Ew	45 mm
B	17 mm

K40x45x17 Bearing 2D drawings and 3D CAD models