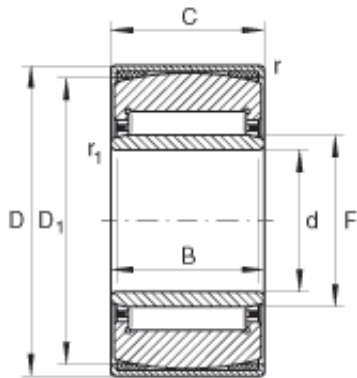




Bearing equipment manufacturing Co., Ltd



12 mm x 28 mm x 12 mm INA PNA12/28 needle roller bearings

Bearing No. PNA12/28

PNA12/28 Bearing 2D drawings and 3D CAD models

Size	12x28x12 mm
Bore Diameter	12 mm
Outer Diameter	28 mm
Width	12 mm
d	12 mm
D	28 mm
C - 12 mm / Tolerance: +/-0,5	12 mm / Tolerance: +/0,5
B	12 mm
D ₁	24,5 mm
F	15 mm
r _{1 min}	0,3 mm
r _{min}	0,8 mm
s	0,5 mm / Axial displacement
m	37 g / Weight
C _r	7800 N / Dynamic load rating (radial)
C _{0r}	7900 N / Static load rating (radial)
C _{ur}	1430 N / Fatigue limit load, radial
n _G	24100 1/min / Limiting speed
Category	Needle Self Aligning Roller Bearings
Inventory	0.0



Bearing equipment manufacturing Co., Ltd

Manufacturer Name	SCHAEFFLER GROUP
Minimum Buy Quantity	N/A
Weight / Kilogram	0.04
EAN	4012802112405
Product Group	B04144
Rolling Element	Needle Roller Bearing
Component	Complete with Outer and Inner Ring
Enclosure	Open
Self Aligning	Yes
Retainer	Yes
Number of Rows of Rollers	Single Row
Separable	Inner Ring - Both Sides
Inch - Metric	Metric
Relubricatable	No
Thrust Bearing	No
Long Description	12MM Bore; 28MM Outside Diameter; 12MM Width; Needle Roller Bearing; Complete with Outer and Inner Ring; Open Enclosure; Self Aligning; Retainer; Single Row of Rollers; Inner Ring - Both Sides Separab
Other Features	Plain Inner Ring 2 Rib Outer Ring Steel Cage Self Contained Aligning Adaptor
Category	Needle Self Aligning Roller Bearing
UNSPSC	31171512
Harmonized Tariff Code	8482.40.00.00
Noun	Bearing
Keyword String	Needle
Manufacturer URL	http://www.ina.com



Bearing equipment manufacturing Co., Ltd

Manufacturer Item Number	PNA12/28
Weight / LBS	0.082
Outside Diameter	1.102 Inch 28 Millimeter
Width	0.472 Inch 12 Millimeter
Bore	0.472 Inch 12 Millimeter