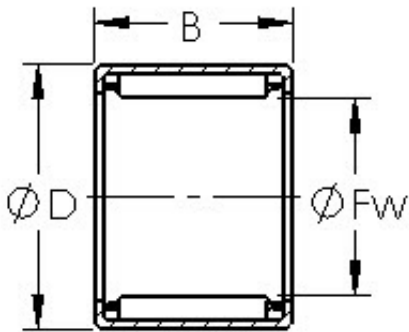




Bearing equipment manufacturing Co., Ltd



AST SCE98 needle roller bearings

Bearing No. SCE98

Bore Diameter	14,3 mm
Outer Diameter	19,05 mm
Width	12,7 mm
Bearing Type	Cage Retained Rollers
Outer Dia (D)	0.7500
Width (B)	0.5000
Dynamic Load Rating (Cr)	1,730
Static Load Rating (Cor)	2,420
Max Speed (Grease) (X1000 RPM)	19,600
Shaft (Fw)	0.563
Weight (g)	9.00
Material - Drawn cup: Hardened carbon steel alloy, Rollers	52100 Chrome steel or equivalent

SCE98 Bearing 2D drawings and 3D CAD models