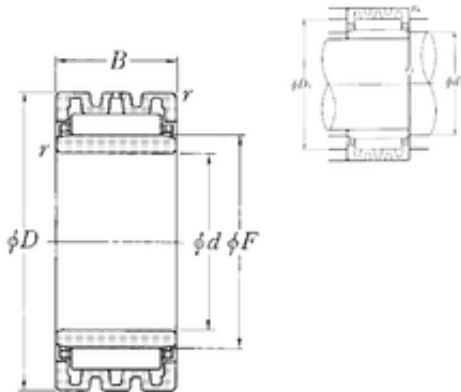




Bearing equipment manufacturing Co., Ltd



65 mm x 90 mm x 25 mm NTN NA4913S needle roller bearings

Bearing No. NA4913S

Size	65x90x25 mm
Bore Diameter	65 mm
Outer Diameter	90 mm
Width	25 mm
d	65 mm
F	72 mm
D	90 mm
B	25 mm
C	25 mm
r min.	1 mm
da min.	70 mm
Da max.	79 mm
ra max.	1 mm
Weight	0,427 Kg
Basic dynamic load rating (C)	34 kN
Basic static load rating (C0)	70,5 kN
(Grease) Lubrication Speed	3700 r/min

NA4913S Bearing 2D drawings and 3D CAD models