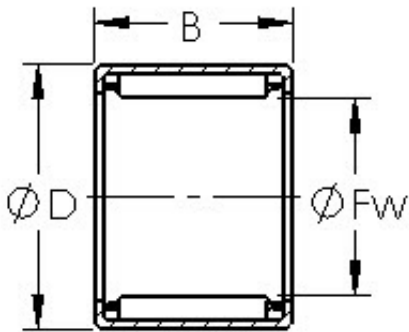




# Bearing equipment manufacturing Co., Ltd



## AST SCH1818 needle roller bearings

Bearing No. SCH1818

Bore Diameter	28,575 mm
Outer Diameter	38,1 mm
Width	28,575 mm
Bearing Type	Cage Retained Rollers
Outer Dia (D)	1.5000
Width (B)	1.1250
Dynamic Load Rating (Cr)	9,100
Static Load Rating (Cor)	14,500
Max Speed (Grease) (X1000 RPM)	9,800
Shaft (Fw)	1.125
Weight (g)	85.00
Material - Drawn cup: Hardened carbon steel alloy, Rollers	52100 Chrome steel or equivalent

SCH1818 Bearing 2D drawings and 3D CAD models