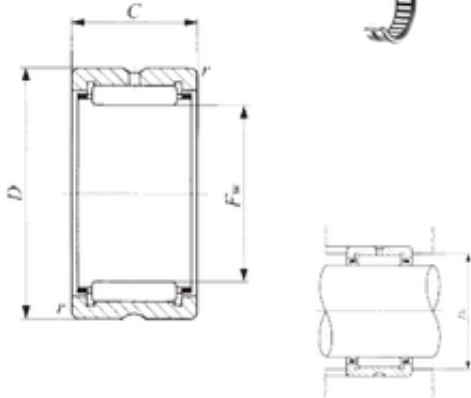




Bearing equipment manufacturing Co., Ltd

IKO BR 182616 needle roller bearings

Bearing No. BR 182616



BR 182616 Bearing 2D drawings and 3D CAD models

Size	28.575x41.275x25.4 mm
Bore Diameter	28,575 mm
Outer Diameter	41,275 mm
Width	25,4 mm
Fw	28,575 mm
D	41,275 mm
C	25,4 mm
Da max.	36 mm
ra max.	1 mm
Weight	0,102 Kg
Basic dynamic load rating (C)	34,9 kN
Basic static load rating (C0)	49,9 kN