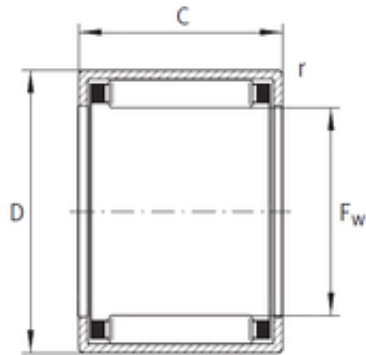




Bearing equipment manufacturing Co., Ltd

INA SCH1012 needle roller bearings



Bearing No. SCH1012

Size	15.875x22.225x19.05 mm
Bore Diameter	15,875 mm
Outer Diameter	22,225 mm
Width	19,05 mm
Fw	15,875 mm
D	22,225 mm
C	19,05 mm
Weight	0,019 Kg
Basic dynamic load rating (C)	14,7 kN
Basic static load rating (C0)	20 kN

SCH1012 Bearing 2D drawings and 3D CAD models