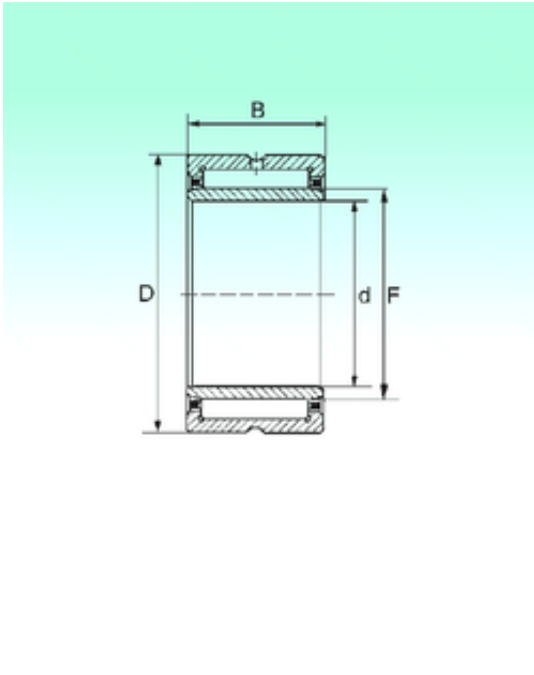




## Bearing equipment manufacturing Co., Ltd



NA 4824 Bearing 2D drawings and 3D CAD models

### NBS NA 4824 needle roller bearings

Bearing No. NA 4824

Size	120x150x30 mm
Bore Diameter	120 mm
Outer Diameter	150 mm
Width	30 mm
d	120 mm
Fw	130 mm
D	150 mm
C	30 mm
Weight	1,17 Kg
Basic dynamic load rating (C)	99 kN
Basic static load rating (C0)	239 kN