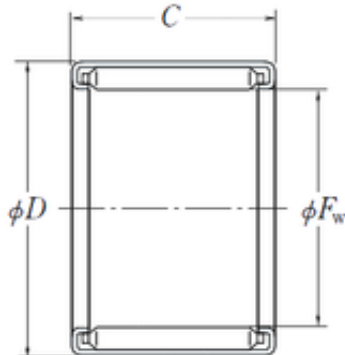




Bearing equipment manufacturing Co., Ltd

NSK FH-910 needle roller bearings



Bearing No. FH-910

Size	9x15x10 mm
Bore Diameter	9 mm
Outer Diameter	15 mm
Width	10 mm
Fw	9 mm
D	15 mm
C	10 mm
Weight	0,0064 Kg
Basic dynamic load rating (C)	6,1 kN
(Grease) Lubrication Speed	6000 r/min
NB-DI	0
NA-DEX	0
hidYobi	FH-910
LangID	1
D_	15
NC-SLR	8.2
B_	10
hidTable	ecat_NSDCNR
mass_k	6.4
GRS rpm	6000
NC-SLR1	0
C0	6.778
C1	10
Prod_Type3	NRB_DC_F-MF_FC_OT
d	9
NC-RAC	0

FH-910 Bearing 2D drawings and 3D CAD models



Bearing equipment manufacturing Co., Ltd

Pmax	3350
N-SDM	0
yobi	FH-910
C1_C2	1.8
ND-Z	0
OIL rpm	10000
NC-DA	2.358
N-KBRG	8200
NC-KMS	15