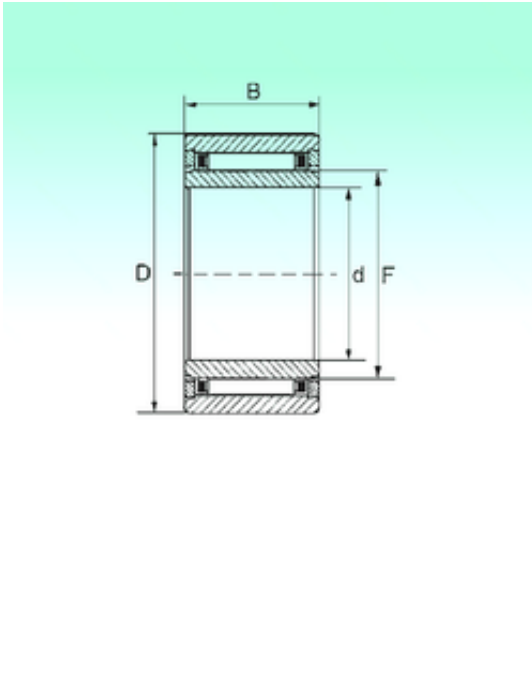




Bearing equipment manufacturing Co., Ltd



NKI 9/16 Bearing 2D drawings and 3D CAD models

NBS NKI 9/16 needle roller bearings

Bearing No. NKI 9/16

Size	9x19x16 mm
Bore Diameter	9 mm
Outer Diameter	19 mm
Width	16 mm
d	9 mm
Fw	12 mm
D	19 mm
C	16 mm
Weight	0,0219 Kg
Basic dynamic load rating (C)	8,5 kN
Basic static load rating (C0)	10,5 kN