

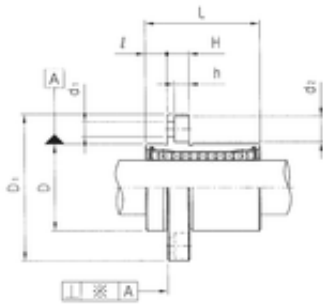


Bearing equipment manufacturing Co., Ltd



Samick LMEFP16 linear bearings

Bearing No. LMEFP16



LMEFP16 Bearing 2D drawings and 3D CAD models

Bore Diameter	16 mm
Outer Diameter	26 mm
d	16 mm
D	26 mm
d1	8 mm
d2	4,4 mm
h	6 mm
D1	46 mm
H	36 mm
L	36 mm
PCD	4,5 mm
	6 Tolerance h14
Tolerance perpendicularity (C)	12
Weight	0,12 Kg
Basic dynamic load rating (C)	0,77 kN