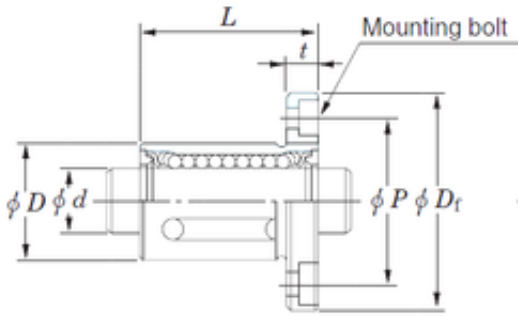




Bearing equipment manufacturing Co., Ltd



SDMF20 Bearing 2D drawings and 3D CAD models

KOYO SDMF20 linear bearings

Bearing No. SDMF20

Bore Diameter	20 mm
Outer Diameter	32 mm
Fw	20 mm
D	32 mm
P	43 mm
t	8 mm
D1	54 mm
K	42 mm
L	42 mm
Bolt (G)	M5
Weight	170 Kg
Basic dynamic load rating (C)	590 kN