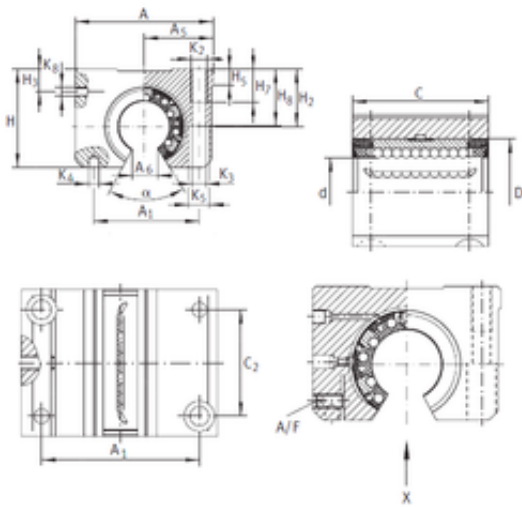




# Bearing equipment manufacturing Co., Ltd

## INA KGNOS 30 C-PP-AS linear bearings

Bearing No. KGNOS 30 C-PP-AS



KGNOS 30 C-PP-AS Bearing 2D drawings and 3D CAD models

|                |         |
|----------------|---------|
| Bore Diameter  | 30 mm   |
| Outer Diameter | 47 mm   |
| d              | 30 mm   |
| D              | 47 mm   |
| A6             | 14 mm   |
| A/F            | 3 mm    |
| H5             | 9,5 mm  |
| H7             | 22 mm   |
| H8             | 34 mm   |
| K3             | 8,4 mm  |
| K4             | 6 mm    |
| K5             | 15 mm   |
| Thread (K2)    | M10     |
| Thread (K8)    | M8X1    |
| H3             | 14 mm   |
| A5             | 43,5 mm |
| Angle (?)      | 57 °    |
| A              | 87 mm   |
| A1             | 68 mm   |
| C              | 68 mm   |
| H              | 60 mm   |
| H2             | 35 mm   |
| C2             | 45 mm   |
| Weight         | 0,76 Kg |