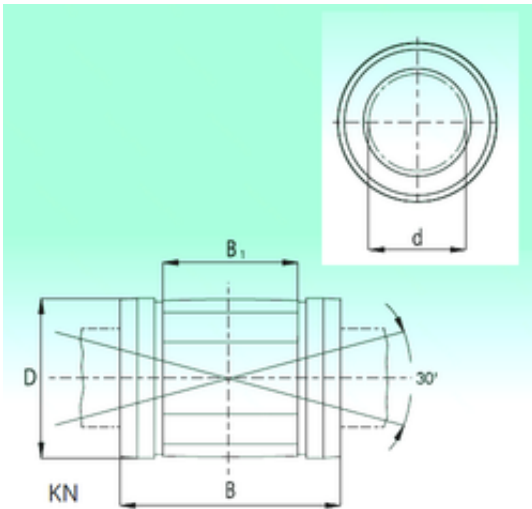




## Bearing equipment manufacturing Co., Ltd



KN1636 Bearing 2D drawings and 3D CAD models

16 mm x 26 mm x 36 mm NBS KN1636 linear bearings

Bearing No. KN1636

Size	16x26x36 mm
Bore Diameter	16 mm
Outer Diameter	26 mm
Width	36 mm
d	16 mm
D	26 mm
B	36 mm
B1	22 mm
Weight	0,028 Kg
Basic dynamic load rating (C)	0,8 kN