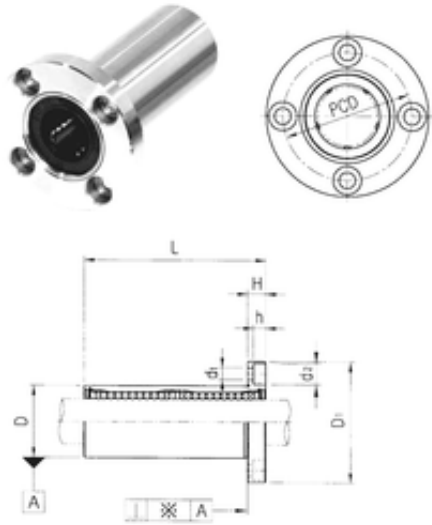




# Bearing equipment manufacturing Co., Ltd



## Samick LMF10L linear bearings

Bearing No. LMF10L

Bore Diameter	10 mm
Outer Diameter	19 mm
d	10 mm
D	19 mm
d1	4,5 mm
d2	8 mm
h	4,4 mm
D1	40 mm
H	6 mm
L	55 mm
PCD	29 mm
Tolerance perpendicularity (C)	15
Weight	0,105 Kg
Basic dynamic load rating (C)	0,58 kN

LMF10L Bearing 2D drawings and 3D CAD models