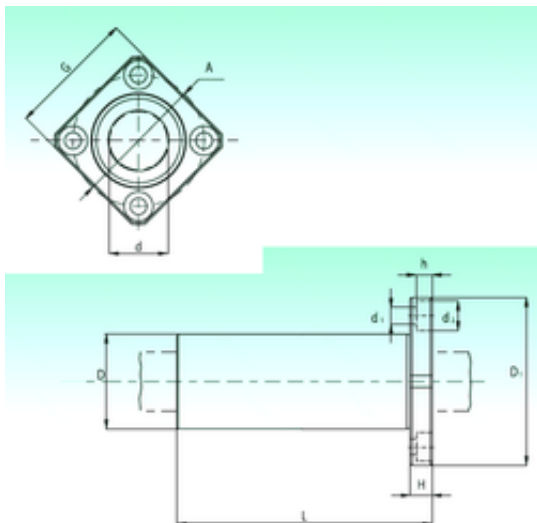




Bearing equipment manufacturing Co., Ltd



KBKL 40 Bearing 2D drawings and 3D CAD models

NBS KBKL 40 linear bearings

Bearing No. KBKL 40

Bore Diameter	40 mm
Outer Diameter	62 mm
d	40 mm
D	62 mm
d1	9 mm
d2	14 mm
h	8,6 mm
A	80 mm
D1	98 mm
G	75 mm
H	13 mm
L	154 mm
Weight	1,38 Kg
Basic dynamic load rating (C)	3,43 kN